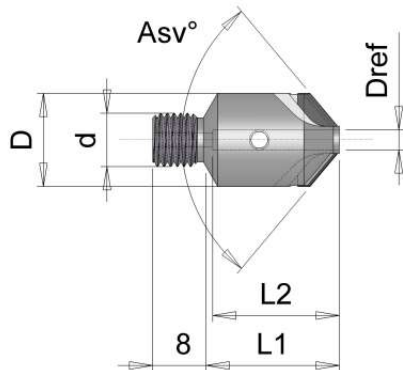


PKD Senker mit wechselbarem Führungszapfen unterschiedlich Winkel

PCD Countersinc with removable pilot different angles and pilot hole



D	Dref	Asv	L1	L2	d	Z	Code
10	2,5	100	19	18	M6x1,0	2	AD802005
12	3	100	19	18	M6x1,0	2	AD802010
14	3	100	20	19	M8x1,0	2	AD802015
17	3	100	20	19	M8x1,0	2	AD802020
19	4	100	25	24	M8x1,0	2	AD802025
21	4	100	25	24	M8x1,0	2	AD802030
10	2,5	100	19	18	M6x1,0	3	AD802035
12	3	100	19	18	M6x1,0	3	AD802040
14	3	100	20	19	M8x1,0	3	AD802045
17	3	100	20	19	M8x1,0	3	AD802050
19	4	100	25	24	M8x1,0	3	AD802055
21	4	100	25	24	M8x1,0	3	AD802060
10	2,5	130	19	18	M6x1,0	2	AD802065
12	3	130	19	18	M6x1,0	2	AD802070
17	3	130	20	19	M8x1,0	2	AD802080
19	4	130	25	24	M8x1,0	2	AD802085
21	4	130	25	24	M8x1,0	2	AD802090
10	2,5	130	19	18	M6x1,0	3	AD802095
12	3	130	19	18	M6x1,0	3	AD802100
14	3	130	20	19	M8x1,0	3	AD802105
17	3	130	20	19	M8x1,0	3	AD802110
19	4	130	25	24	M8x1,0	3	AD802115
21	4	130	25	24	M8x1,0	3	AD802120
9,525	3,175	100	19,05	17,78	1/4-28	2	AD802125
12,7	3,175	100	19,05	17,78	1/4-28	2	AD802130
15,875	3,175	100	20,32	19,05	1/4-28	2	AD802135
19,05	4,775	100	25,4	24,13	3/8-24	2	AD802140
22,225	4,775	100	25,4	24,13	3/8-24	2	AD802145
25,4	4,775	100	25,4	24,13	7/16-20	2	AD802150
31,75	4,775	100	30,99	27,94	7/16-20	2	AD802155
9,525	3,175	130	19,05	17,78	1/4-28	3	AD802160
12,7	3,175	130	19,05	17,78	1/4-28	3	AD802165
15,875	3,175	130	20,32	19,05	1/4-28	3	AD802170
19,05	4,775	130	25,4	24,13	3/8-24	3	AD802175
22,225	4,775	130	25,4	24,13	3/8-24	3	AD802180
25,4	4,775	130	25,4	24,13	7/16-20	3	AD802185
31,75	4,775	130	30,99	27,94	7/16-20	3	AD802190
9,525	3,175	130	19,05	17,78	1/4-28	2	AD802195
12,7	3,175	130	19,05	17,78	1/4-28	2	AD802200
15,875	3,175	130	20,32	19,05	1/4-28	2	AD802205
19,05	4,775	130	25,4	24,13	3/8-24	2	AD802210
22,225	4,775	130	25,4	24,13	3/8-24	2	AD802215
25,4	4,775	130	25,4	24,13	7/16-20	2	AD802220
31,75	4,775	130	30,99	27,94	7/16-20	2	AD802225
9,525	3,175	130	19,05	17,78	1/4-28	3	AD802230
12,7	3,175	130	19,05	17,78	1/4-28	3	AD802235
15,875	3,175	130	20,32	19,05	1/4-28	3	AD802240
19,05	4,775	130	25,4	24,13	3/8-24	3	AD802245
22,225	4,775	130	25,4	24,13	3/8-24	3	AD802250
25,4	4,775	130	25,4	24,13	7/16-20	3	AD802255